

IF18-3 SET-UP SHEET ver.2.0

NAME _____

DATE _____

TRACK _____

EVENT _____

PINION	TRANSMISSION	SPUR	SHAFT
<input type="checkbox"/> 18T <input type="checkbox"/> 19T <input type="checkbox"/> 20T	<input type="checkbox"/> 1ST <input type="checkbox"/> 60T <input type="checkbox"/> 61T <input type="checkbox"/> 62T	<input type="checkbox"/> 6mm	<input type="checkbox"/> 6mm
<input type="checkbox"/> 23T <input type="checkbox"/> 24T <input type="checkbox"/> 25T	<input type="checkbox"/> 2ND <input type="checkbox"/> 56T <input type="checkbox"/> 57T <input type="checkbox"/> 58T	<input type="checkbox"/> 8mm	<input type="checkbox"/> 8mm

PINION (STD / HARD)

FRONT	SHOCKS	REAR
PLA <input type="checkbox"/> / AL <input type="checkbox"/>	SPRING & RETAINER	PLA <input type="checkbox"/> / AL <input type="checkbox"/>
#	OIL	#
<input type="checkbox"/> STD <input type="checkbox"/> OPTION	O RING	<input type="checkbox"/> STD <input type="checkbox"/> OPTION
<input type="checkbox"/> STD <input type="checkbox"/> OPTION	MEMBRANE	<input type="checkbox"/> STD <input type="checkbox"/> OPTION
HOLE(S) (STD <input type="checkbox"/> / SCREW <input type="checkbox"/>)	PISTONS	HOLE(S) (STD <input type="checkbox"/> / SCREW <input type="checkbox"/>)
SHAFT LENGTH _____ mm		SHAFT LENGTH _____ mm

FRONT	ANTI-ROLL BAR	REAR
_____ mm		_____ mm

FRONT	RIDE HEIGHT	REAR
_____ mm		_____ mm

FRONT	WIDTH	REAR
_____ mm		_____ mm

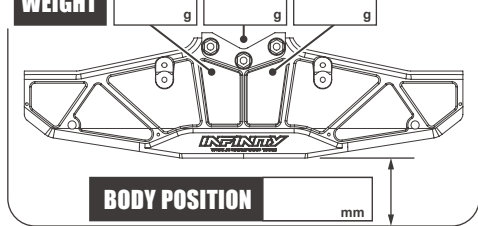
BRAND	TIRES	CONTROLLED
		<input type="checkbox"/> YES <input type="checkbox"/> NO
LEFT FRONT RIGHT	DIAMETER	LEFT REAR RIGHT
_____ mm _____ mm		_____ mm _____ mm

FRONT	WHEEL PLATE	REAR
<input type="checkbox"/> YES <input type="checkbox"/> NO		<input type="checkbox"/> YES <input type="checkbox"/> NO

BODY

BUMPER WEIGHT & BODY POSITION

WEIGHT _____ g _____ g _____ g



BODY POSITION _____ mm

FRONT CARBON PLATE
<input type="checkbox"/> CARBON <input type="checkbox"/> NO <input type="checkbox"/> PLASTIC

REAR BODY MOUNT
<input type="checkbox"/> PLASTIC (R0373)
POSITION 1 2
SIDE HEIGHT _____ mm

POSITION (R0337)
<input type="checkbox"/> CARBON (R0337)
POSITION 1 2 3
SPACER _____ mm
POSITION LOW HIGH

POSITION
<input type="checkbox"/> LIGHT WEIGHT (R0349)
POSITION 1 2

SHOCK TOWER

R0081 R0336

R0081W R0336W

LOWER ARM PLATE

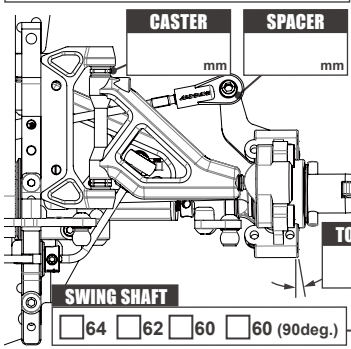
R0355W R0355N R0353

YES NO

KNUCKLE BASE

SPACER _____ mm

STANDARD (15.5) R0314B (13.5)



UPPER SUS BUSH SOFT HARD

UPPER SUS HOLDER STANDARD HARD ALUMINUM

SIDE SCREW YES NO

UPRIGHT UPPER STANDARD -1 0 +1

HARD ALUMINUM

BACKWARD  **FORWARD**

CENTERING (R0328) / OFFSET BUSHING (R0327) YES NO

UPRIGHT LOWER STANDARD HARD

SUS ARM UPPER STANDARD HARD

SUS ARM LOWER STANDARD HARD

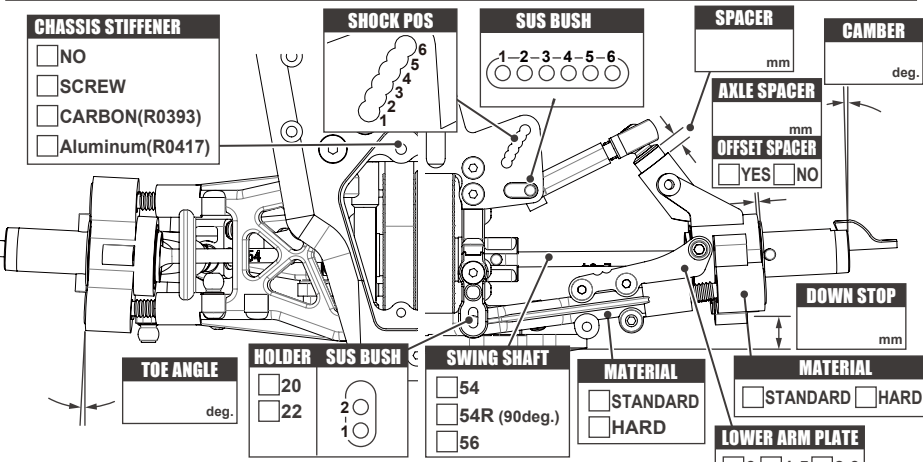
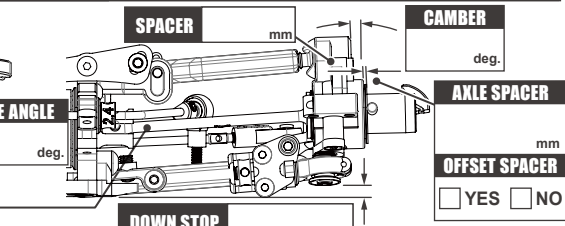
R0323 YES NO

LOWER ARM END SOFT HARD OLD NEW

LOWER SUS HOLDER STANDARD HARD ALUMINUM

LOWER SUS BUSH SOFT HARD IN OUT

ONE WAY STANDARD 8mm (R0333) **STOPPER** YES NO



CENTERING PLATE STD

REV

SERVO SAVER

STEERING PLATE 9mm 10mm 11mm (STD)

POSITION FORWARD MIDDLE BACKWARD

TIGHTENING _____ mm

SERVO SAVER TYPE PLASTIC ALUMINUM (R0259)

SERVO SAVER POSITION FORWARD MIDDLE

SPACER _____ mm

SPRING SOFT HARD

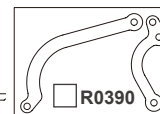
UPPER PLATE TYPE

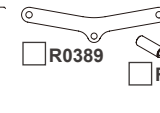
STIFFENER (R0388)

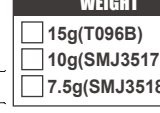
ALUMINUM (R0420)


WEIGHT / CARBON STIFFENER

WEIGHT/CARBON	ADDITIONAL WEIGHT	TOTAL CAR WEIGHT
<input type="checkbox"/> RIGHT <input type="checkbox"/> MIDDLE <input type="checkbox"/> LEFT	<input type="checkbox"/> CARBON	_____ g
<input type="checkbox"/> CARBON (2P) <input type="checkbox"/> CARBON (5P)	<input type="checkbox"/> STAINLESS (2P) <input type="checkbox"/> BRASS (5P)	_____ g

R0390 

R0389 

R0391 

R0363 

WEIGHT 15g (T096B) 10g (SMJ3517 x2) 7.5g (SMJ3518)

SHORT WHEEL BASE F - _____ mm / R - _____ mm

PULLEY STD / LF (R0432)